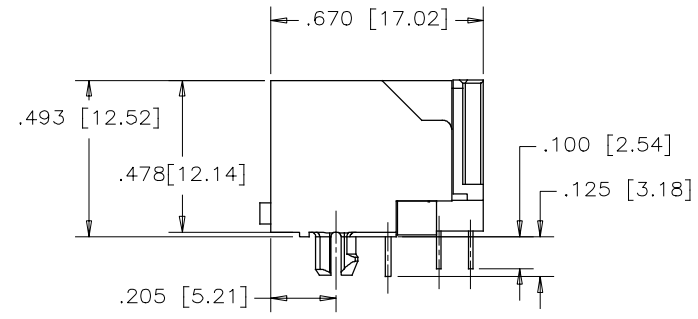
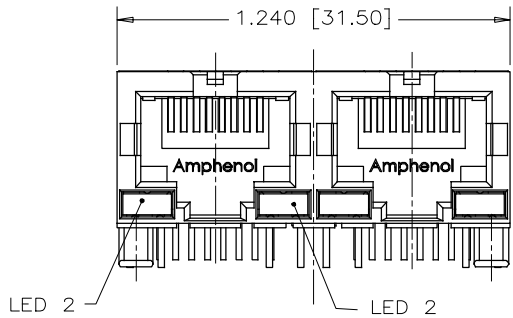


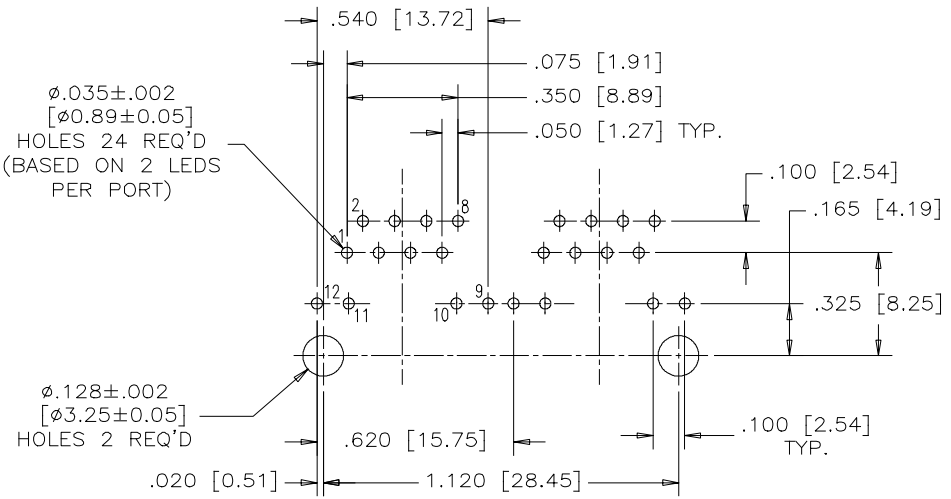
REVISIONS			
REV	DESCRIPTION, ECN, EAR NO.	DATE	APP'D
A	PROPOSAL	JUN21/19	L.CHAN



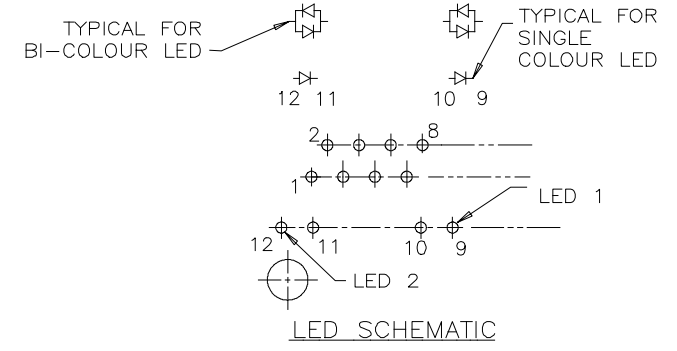
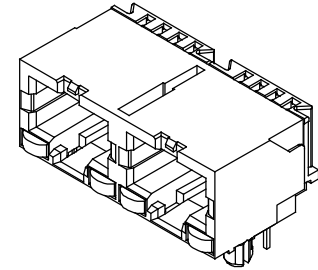
GREEN
 10 OR 12
 9 OR 11

RED

BI-COLOUR LED DETAIL
 (GREEN/YELLOW, RED/YELLOW AND GREEN/ORANGE ARE ALSO AVAILABLE)

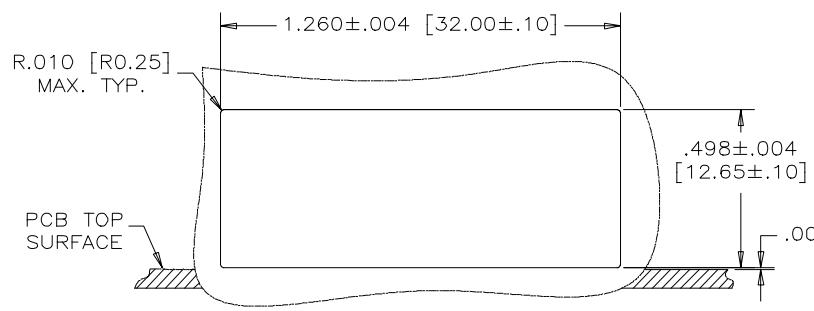


RECOMMENDED P.C.B. LAYOUT
 (COMPONENT SIDE OF BOARD)

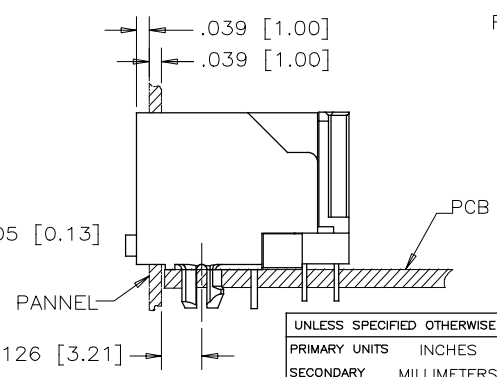


MATERIALS:
 HOUSING: ENGINEERING TEMPERATURE THERMOPLASTIC.
 COLOR: BLACK, FLAMMABILITY RATING UL 94V-0

CONTACTS: PHOSPHOR BRONZE
 PLATING: SELECTIVE GOLD PLATING ON MATING SURFACE
 SEE PART NO. FOR THICKNESS
 50μ" [1.27 MICRONS]
 MIN. NICKEL UNDERPLATE.
 100μ" MIN. MATTE-TIN OR GOLD FLASH ON CONTACT TAILS.



RECOMMENDED PANEL CUTOUT



RECOMMENDED SOLDERING TEMPERATURE:
 WAVE SOLDERING AT 260°C MAX. FOR 5 SEC MAX.

PART NUMBER: RJSBE-X08X-C2X

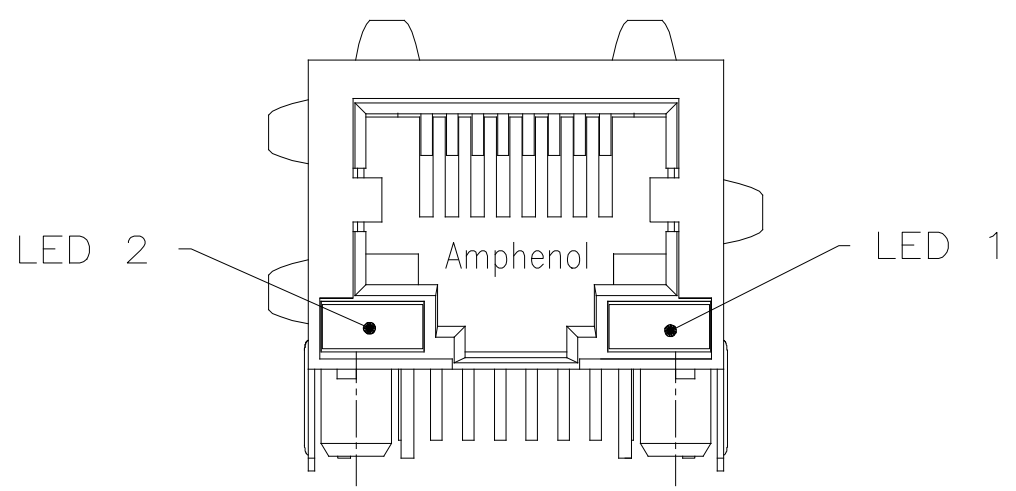
GOLD PLATING OPTION:
 D = 6u" GOLD PLATING
 G = 15u" GOLD PLATING
 J = 30u" GOLD PLATING
 5 = 50u" GOLD PLATING

REFER TO LED OPTIONS DRAWING FOR ORDERING CODES

UNLESS SPECIFIED OTHERWISE	DRAWN	RONNIE.C	JUN21/19
PRIMARY UNITS INCHES	CHECKED	L.CHAN	JUN21/19
SECONDARY MILLIMETERS	M.E. APP'D		
REFERENCE IN PARENTHESES	Q.A. APP'D		
GENERAL TOLERANCES	DWG APP'D		
1 DECIMAL PLACE	ENG. REL. NO.		
2 DECIMAL PLACES	REF.		
3 DECIMAL PLACES ±.015			
ANGULAR DEGREES ±1.5°	THIRD ANGLE PROJECTION		
	DO NOT SCALE DRAWING		

Amphenol Canada Corp. Commercial Products	
2 PORT MODULAR JACK, 8 POSITION, 8 CONTACT, WITHOUT SHIELD, UNSHIELD, WITH GOLD PLATING AND LED OPTIONS, - RoHS COMPLIANT	
DWG NO.	REV
P-RJSBE-X08X-C2X	A
CODE ID NO. 03554	DWG SIZE X SCALE N/A SHEET 1 OF 1

REVISIONS				
SYM	ZONE	ECN, ERN NO.	DATE	APPRD.
A		PROPOSAL	05/07/22	L.CHAN
B		ADD LED OPTION	JUN 26/12	L.CHAN
C		ADD LED OPTION	JUN 28/12	L.CHAN
D		CHANGE ROHS STAMP	DEC20/12	L.CHAN



TYPICAL FOR SINGLE & MULTI-PORT



LED SPECIFICATIONS:
 FORWARD VOLTAGE: 2.1 VOLTS TYP.
 REVERSE VOLTAGE: 5.0 VOLTS MIN.
 LUMINOUS INTENSITY: 0.5 mCd MIN.
 (AT If=2mA)
 OPERATING TEMPERATURE: -40°C TO 85° C
 WAVE SOLDERING TEMPERATURE: 260° C
 (5 SEC, 1/16" FROM CASE)
 PLATING ON TAILS: TIN OR TIN/COPPER ALLOY
 OVER SILVER

EXAMPLE:

PART NUMBER RJSBE-538X-C1



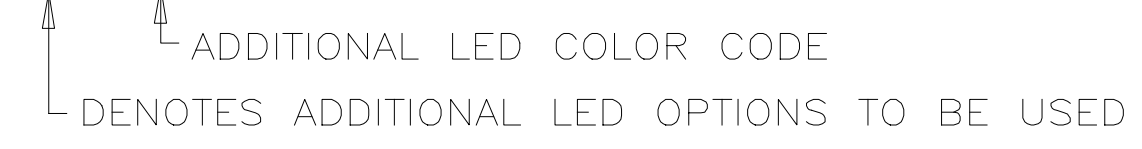
LED COLOR CODE

CODE	LED 2 (LEFT)	LED 1 (RIGHT)	CODE	LED 2 (LEFT)	LED 1 (RIGHT)	CODE	LED 2 (LEFT)	LED 1 (RIGHT)
0	BLOCKED	BLOCKED	9	GREEN	BLOCKED	J	BiC RD/GR	YELLOW
1	YELLOW	GREEN	A	BiC GR/YE	BiC GR/YE	K	YELLOW	BiC GR/OR
2	BLOCKED	GREEN	B	BiC RD/GR	BiC RD/GR	L	BiC GR/YE	RED
3	YELLOW	BLOCKED	C	BiC RD/GR	BiC GR/YE	M	RED	YELLOW
4	GREEN	YELLOW	D	GREEN	BiC GR/YE	N	BiC GR/RD	BiC GR/YE
5	GREEN	GREEN	E	YELLOW	BiC GR/YE	P	GREEN	BiC RD/GR
6	YELLOW	YELLOW	F	BiC GR/YE	YELLOW	R	BiC GR/OR	GREEN
7	RED	GREEN	G	BiC GR/OR	BiC GR/OR	T	RED	RED
8	GREEN	RED	H	BiC GR/YE	GREEN	V	BiC RD/GR	GREEN
						W	ADDITIONAL OPTIONS	

PRIMARY COLOR FOR BI-COLOR
 LEDS IN STANDARD ANODE/
 CATHODE CONFIGURATION IS:
 RED-GREEN= RED
 RED-YELLOW= RED
 GREEN-YELLOW= GREEN
 GREEN-ORANGE= GREEN

EXAMPLE OF ADDITIONAL LED OPTIONS:

PART NUMBER RJSBE-538W-C1X



CODE	LED 2 (LEFT)	LED 1 (RIGHT)	CODE	LED 2 (LEFT)	LED 1 (RIGHT)	CODE	LED 2 (LEFT)	LED 1 (RIGHT)
0	DO NOT USE		5	BLOCKED	YELLOW	A	LOWC YE	LOWC YE
1	RED	BLOCKED	6	RED	BiC RD/GR	B	LOWC YE	LOWC GR
2	BiC GR/OR	YELLOW	7			C	LOWC GR	LOWC YE
3	YELLOW	RED	8	BiC RD/GR	BLOCKED	D	LOWC GR	LOWC GR
4	BLOCKED	RED	9	BiC GR/YE	BLOCKED	M	LOWC RD	LOWC YE
						N	GREEN	BiC GR/OR
						E	GREEN	ORANGE
						F	ORANGE	GREEN
						P	BiC RD/YE	GREEN
						R	BiC RD/YE	BiC RD/YE

LEGEND

BiC=BI-COLOR LED
 LOWC=LOW CURRENT LED
 YE=YELLOW
 GR=GREEN
 RD=RED
 OR=ORANGE

NOTE:

THE TWO DIGITS PRECEDING THE
 ADDITIONAL LED CODE MUST BE
 USED IN THE PART NUMBER, WHEN
 ORDERING ANY OF THE ADDITIONAL
 LED OPTIONS.

THIS DOCUMENT CONTAINS PROPRIETARY INFORMATION AND SUCH INFORMATION
 MAY NOT BE DISCLOSED TO OTHERS FOR ANY PURPOSE OR USED FOR MANUFACTURING
 PURPOSES WITHOUT WRITTEN PERMISSION FROM AMPHENOL CANADA CORP.

DRAWN PAUL WANG	DATE 05/07/22	Amphenol Canada Corp.		
DESIGNED				
CHECKED TERRY	DATE 05/07/22	TITLE LED OPTIONS FOR RJSBE, SINGLE & MULTI-PORT CONNECTORS -RoHS COMPLIANT		
I. E. APPRD.				
Q. A. APPRD.				
DWG. APPRD.				
ENG. REL. NO.		DWG	DRAWING NO.	REV. D
REF.		P-RJSBE-LEDS		
DIMENSIONS ARE IN INCHES [mm]	CODE ID. NO. 03554	SCALE	WT. -----	SURF. -----
				SHEET 1 OF 1